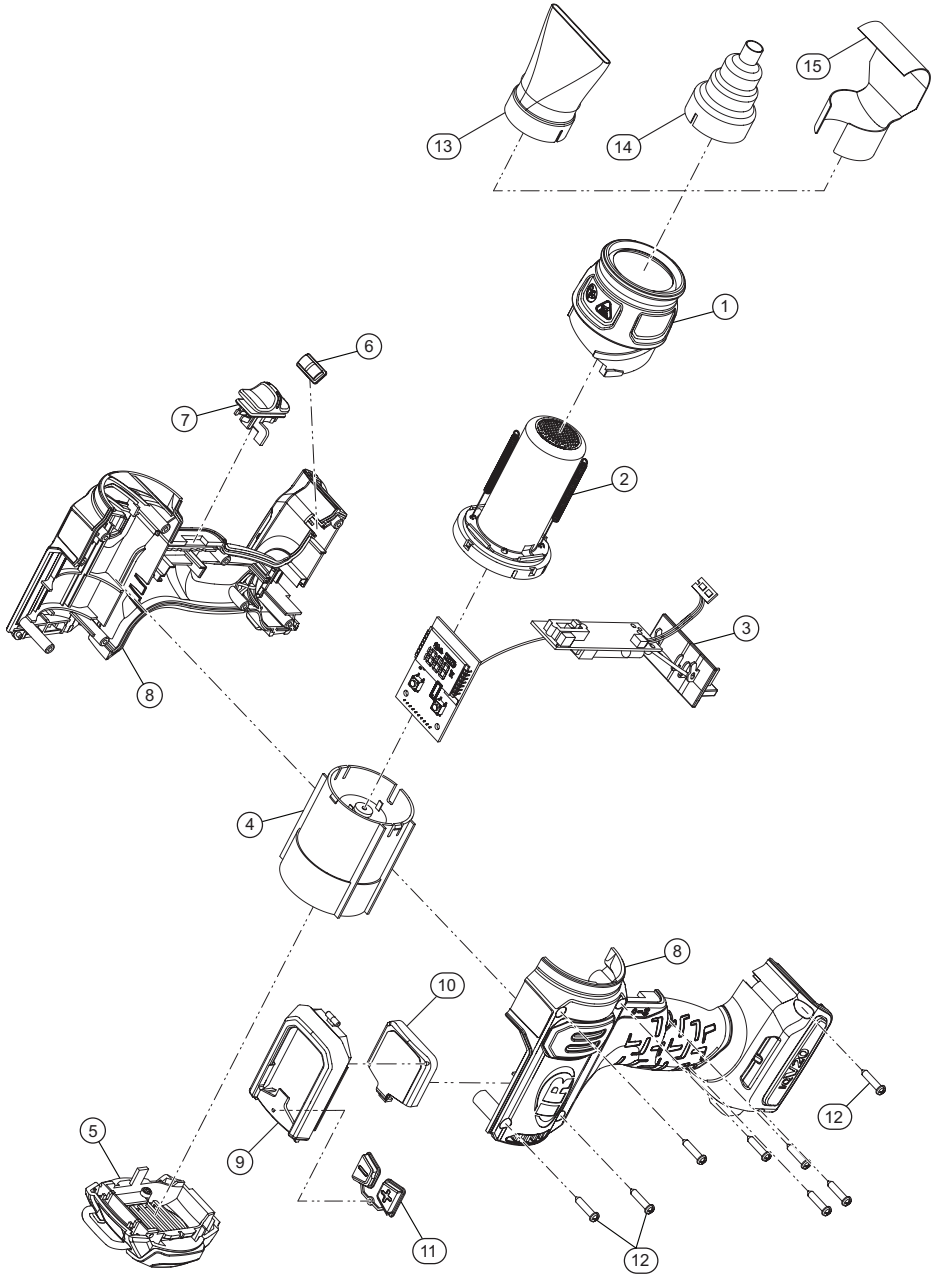


# H3111, Cordless Heat Gun - Exploded View



(Dwg. TL-H3111-PLM-1)



## H3111, Cordless Heat Gun - Parts List

Item	Part Description	Part Number (CCN)	Item	Part Description	Part Number (CCN)	
*	Nozzle Ejector Kit	TK-H3111-930	*	Switch Kit	TK-H3111-093	
1	Nozzle Ejector Assembly	---	7	Switch	---	
*	Heating Element Kit	TK-H3111-525	*	Fastener Kit	TK- H3111-105	
2	Heating Element Assembly	---	12	Housing Screw (8 required)	---	
*	Electronics Assembly Kit	TK-H3111-410	*	Nozzle Kit	TK-H3111-019	
3	Electronics Assembly	---	13	Flat Nozzle	---	
*	Motor Assembly Kit	TK-H3111-054	14	Reducing Nozzle (9 mm)	---	
4	Motor and Fan Assembly	---	15	Hook Nozzle	---	
*	Back Cover and Hook Kit	TK-H3111-144	*	20V Li-ion Battery Pack		
5	Back Cover and Hook Assembly	---		2.5 Ah	BL2012 (47515903001)	
*	Housing Kit	TK-H3111-040		5.0 Ah	BL2022 (47515902001)	
8	Left Housing	---	*	Battery Charger		
	Right Housing	---		Battery Charger, Single Bay	BC1121 (47507879001)	
6	LED Cover	---		Battery Charger, Dual Bay		BC1221
12	Housing Screw (8 required)	---	*	Protective Battery Boot		
*	LCD Cover and Buttons Kit	TK-H3111-441		For 2.5 Ah and 2.8 Ah Batteries		BL2005-BOOT (47510965001)
9	Top Cover	---		For 5.0 Ah and 5.6 Ah Batteries		BL2010-BOOT (47510964001)
10	LCD Cover	---		Storage/Carrying Bag		TB4 (47543666001)
11	Button	---				

\* Indicates not illustrated.

### Parts and Maintenance

When tool life has expired, it is recommended that the tool be disassembled, degreased and parts separated by material for proper recycling.

Tool repair and maintenance should only be carried out by an Authorized Service Center.

Refer all communications to the nearest **Ingersoll Rand** office or distributor.

### Related Documentation

Manuals can be downloaded from [ingersollrand.com](http://ingersollrand.com)

For additional information, refer to:

Product Safety Information Manual TL-H3111-SIM

Product Information Manual TL-H3111-PIM

CE-Declaration of Conformity TL-H3111-DOC

UK-Declaration of Conformity TL-H3111-DOC-UK